

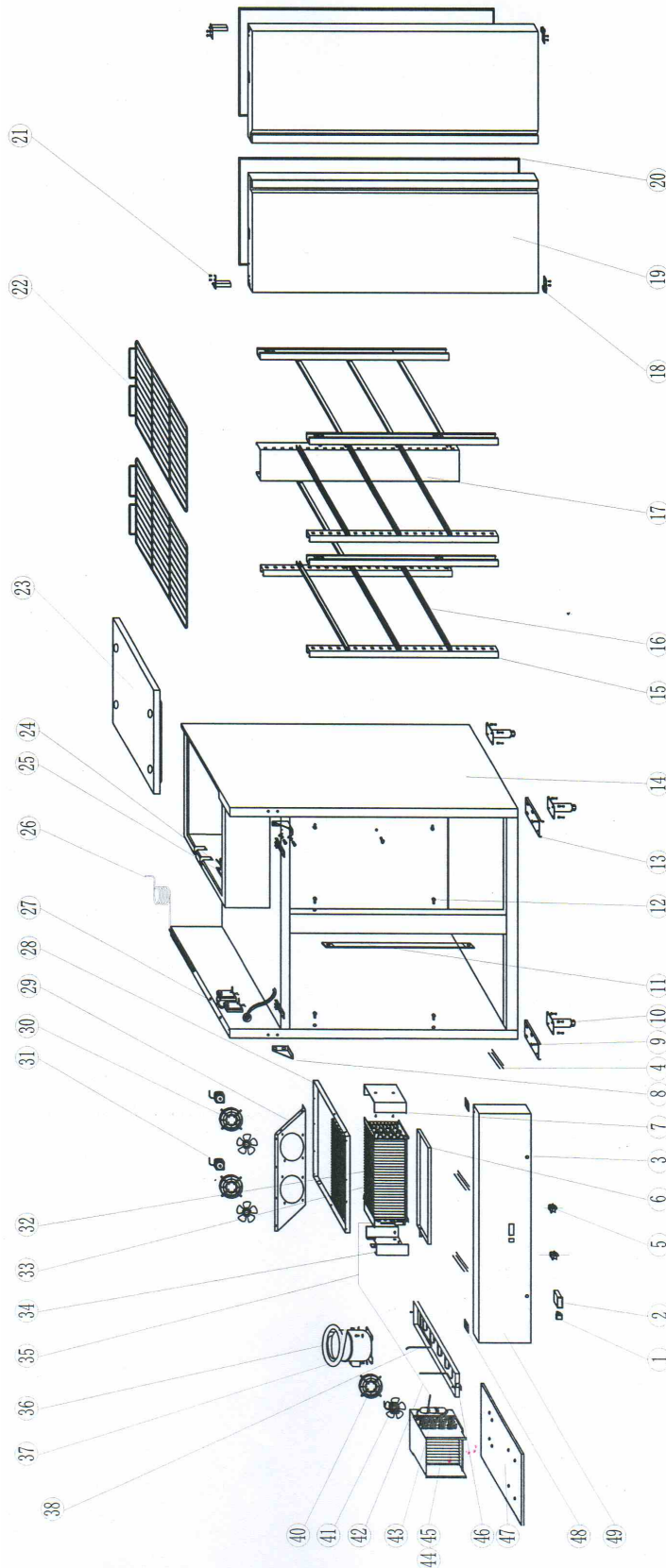
# Exploded view

Explodierte Ansicht | Dessin technique | Rozkres  
Vista en despiece ordenado



MN 1300

Exploded view 1/1



# Exploded view



Explodierte Ansicht | Dessin technique | Rozkres  
Vista en despiece ordenado

MN 1300

ARTICLE	NUMBER	POSITION
MAIN SWITCH	S900.01	1
THERMOSTAT(WITH 2 PROBES)	GN650BT.16T	2
LOCK	GN650TN.86	3
FRONT PANEL FIXED CLIP	GN650TN.43	4
DOOR SWITCH	GN650TN.48	5
EVAPORATOR WATER PAN	GN1410TN.02	6
EVAPORATOR BACK GUIDE	GN650BT.03	7
UP HINGE	GN650TN.15	8
DOWN HINGE AXIS	S900.06	9
FEET	GN650TN.07	10
LED LIGHT(RM)	GN650TN.02RM	11
SUPPORT LOCATED NUT	GN650TN.01	12
DOWN HINGE	GN650TN.05	13
BODY	GN1410TN.03	14
SUPPORT	GN650TN.50	15
GUIDE/LEFT/RIGHT	GN650TN.35	16
BACK MIDDLE SUPPORT	GN1410TN.04	17
DOWN HINGE AXIS JACKET	GN650TN.10	18
DOOR	GN650TN.11	19
GASKET	GN650TN.13	20
DOOR SPRING	GN650TN.14	21
SHELF	GN650TN.08	22
TOP	GN1410TN.05	23
SENSOR FIXED CLIP	S900.31	24
PROBE PADDING	GN650TN.17	25
PLUG	S900.47	26
JUNCTION BOX	GN650TN.16	27
AIRFLOW DUCT BOARD	GN1410TN.06	28
FAN SUPPORT	GN1410TN.07	29
WALL RING	GN650TN.23	30
EVAPORATOR FAN	GN650BT.11	31
EVAPORATOR COVER	GN1410TN.08	32
EVAPORATOR	GN1410TN.01	33
EVAPORATOR FRONT GUIDE	GN650BT.07	34
SUCTION TUBE	GN1410TN.09	35
COMPRESSOR SAFETY BAND	GN1410TN.10	36

# Exploded view



Explodierte Ansicht | Dessin technique | Rozkres  
Vista en despiece ordenado

MN 1300

ARTICLE	NUMBER	POSITION
COMPRESSOR	GN1410TN.11	37
DISCHARGE TUBE	GN650TN.40	38
BASKET GUARD GRILLES	GN650BT.10	40
CONDENSER FAN	GN650TN.34	41
CAPILLARY	GN1410TN.13	42
FILTER DRIER	GN1410TN.14	43
CONDENSER	GN650BT.13	44
FILTER	GN650BT.18	45
CONDENSATE EVAPORATE PAN	GN1410TN.15	46
UNIT BOARD	GN1410TN.16	47
HINGE	GN650TN.44	48
FRONT PANEL	GN1410TN.17	49
CIRCLE FAN COVER	GN1200TNV.09	54
BACK MIDDLE SUPPORT	GN1200TN.13	55
FILTER DRIER	GN1410TN.14	52